



BEFORE APPLICATION:

Experience has shown us that taping the door seal into position before any adhesive is applied allows you to check the fit of the seal and to make any door adjustments if necessary. The molded rubber portions of the seals have either left or right indications for reference.

Apply the adhesive to the door, not the seal. Glue around the door as described in the instructions.

The best (and cleanest) results comes from glueing a 12" to 18" section of the door at a time, applying the weather stripping then taping it into position before continuing onto the next 12" to 18" section. After the adhesive has had ample time to cure the tape can be removed.

INSTALL DOOR SEALS

STEP 1

Remove the old door seals and glue material from the doors. Clean doors thoroughly where the seals are to be adhered. A degreaser/ wax remover solution is recommended.

STEP 2

Determine the left and right door seals and the top rear corners of both seals. Left and right are indicated on the seals.

STEP 3

Start door seal application by beginning at the top rear corner of the door window frame (point A on illustration). Glue and apply door seal along the top and towards the front of the door. Continue application down the front of the vent window frame. At the bottom of the vent window frame the rubber seal is curved to match the shape of the door. Continue application down the hinge side to the front bottom corner.

STEP 4

The seal attaches to the bottom of the door with push-in fasteners. It is not necessary to apply adhesive through this section. Align the fasteners with the holes in the bottom of the door and snap into position.

STEP 5

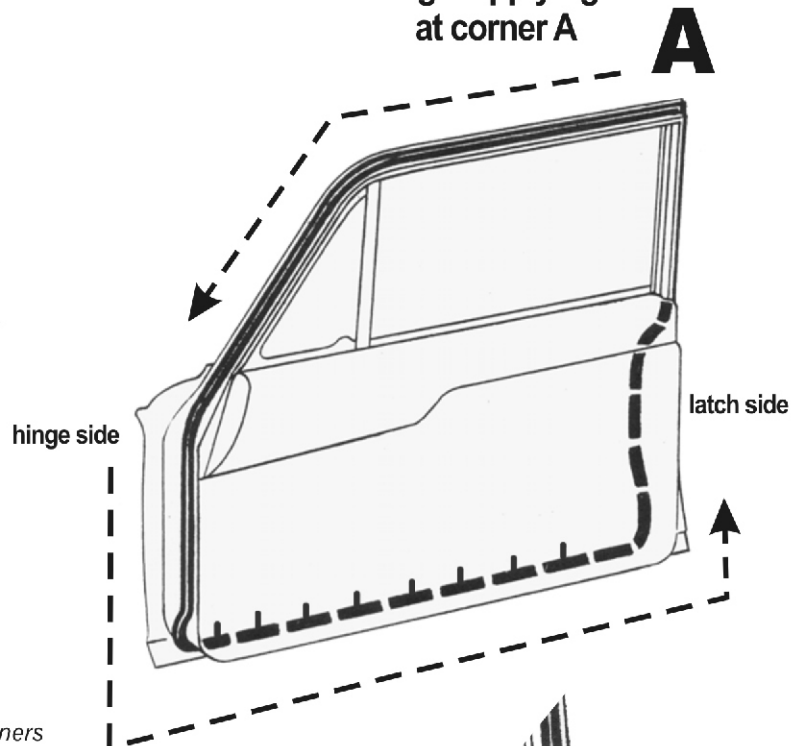
Again beginning at corner A (top rear corner) apply the seal down the latch side. The "S" shaped rubber section with the metal tab matches the shape of the door near the handle and is secured with a push-in fastener. A fastener and adhesive must be applied in this section.

STEP 6

Finish the application by adhering the seal up from the bottom rear corner and butting it to the end of the "S" shape. It may be necessary to trim the seal to properly butt the joint.

NOTE: It is necessary to use a weather stripping adhesive in order to install door seals. Dennis Carpenter Ford Reproductions recommends and sells 3M brand Weather Stripping Adhesive. Our part # is COAZ-19554-A

Begin applying
at corner A



"S" shaped molded
rubber with metal tab

Door seal application is
completed with butt joint
below "S" shape.

latch side
of door



4140 Concord Parkway So., Concord, NC 28027
(704) 786-8139 email: info@dennis-carpenter.com
www.dennis-carpenter.com